

CHILL-MAX™ POWER PACK

3/4 HP 3-Pump 6138 BTU's

PROJECT NAME

MODEL SPECIFIED **CHILLMAX 3/4HP 3-PUMP 6138 BTU**

PRODUCT CODE **BB991090**

LOCATION

QUANTITY

APPROVAL



PRODUCT CODE# BB991090



KEY FEATURES

- Brand name Solid State Compressor/ Condenser producing industry leading BTU output
- Rugged & light weight polymer bath for easy installation
- Thermally Efficient Bath for operating efficiency
- Digital thermostat accuracy and performance
- Lift off Top Deck for easy serviceability
- NEMA 5-15 plug in for low cost electrical installation
- Multiple rotary vane pump configuration available

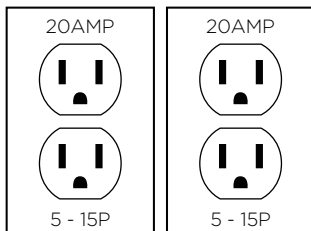


OPTIONS & ACCESSORIES

- Wall Mount Shelf (NSF)
- Floor Stand (NSF)

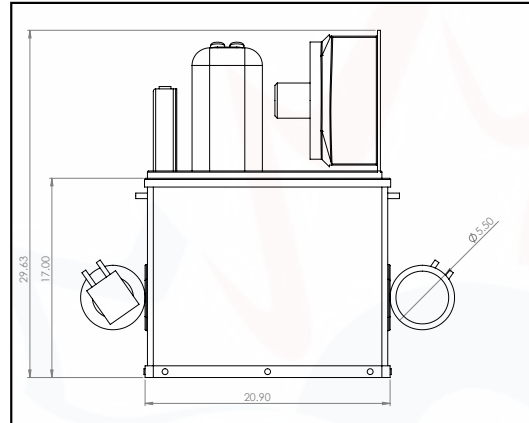
MODEL SPECIFICATIONS

| MODEL | BEF-075 |
|---|---|
| BTUS/H (EVAP. @90F) | 6138 |
| PUMP FLOW (GPH) | 75 |
| COMPRESSOR FLOW (HP) | 3/4 |
| VOLTAGE (V) - 60HZ | 120 |
| PLUG TYPE | NEMA 5-15P, 2 Dedicated Circuit; 120V, 20A, 1Ph, 60Hz |
| AMPS (A) - CHILLER (RUNNING) | 9.5 |
| MIN. CIRCUIT AMPACITY (A) - CHILLER | 13.5 |
| MAX. CIRCUIT AMPACITY (A) - CHILLER | 20 |
| AMPS (A) - CIRCUIT CAPACITY (A) CIRCULATION MOTOR/ PUMP (RUNNING) | 6.0 |
| RECOMMENDED CIRCUIT AMPACITY (A) CIRCULATION MOTOR/ PUMP | 20.0 |
| REFRIGERANT | R134A |
| REFRIGERANT CAPACITY (OZ.) | 19.5 |
| NORMAL REFRIGERATION OPERATING PRESSURE (PSI) | 18 (LOW) 150 (HIGH) |
| COOLING DISTANCE | 350 |
| DIMS W" X D" X H" | 32.0" X 23.5" X 30.0" |
| DRY WEIGHT (LBS) | 180 |
| BATH CAPACITY (US GAL) | 17 |

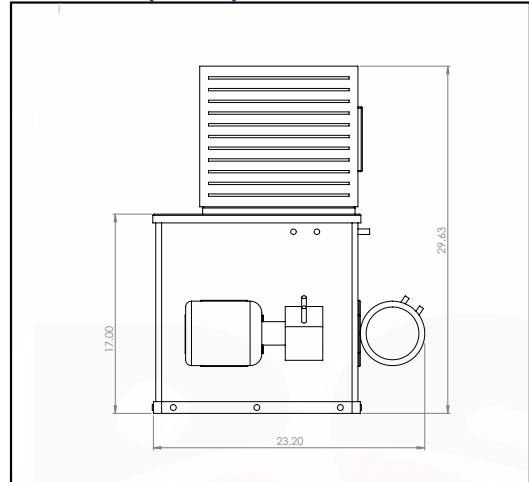


MODEL VIEWS

FRONT VIEW (HEIGHT)



SIDE VIEW (DEPTH)



TOP VIEW (WIDTH)

